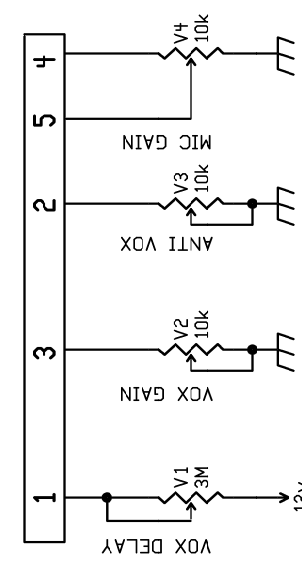


MANUAL CONTROLS - to J2



Title: CDG2000

Board: TRANSMIT EXCITER Revision: B

PART 1 - VOX AND MIC AMP Size: A

Date: May 2005 Sheet 1 of 2