

Fig 'A'. Underside Detail of Track Breaks and Fixing Holes
Scale 1:1

- Veroboard track
- Track break
- Mounting hole

Construction Notes

1. Print this page on A4 card or paper and cutout Fig. 'A' and 'B'
2. Place Fig 'A' on the underside of veroboard, mark and cut track breaks and drill fixing holes.
3. Carefully align and fix Fig 'B' to the topside of the veroboard
4. Mount components as per Fig. 'B'

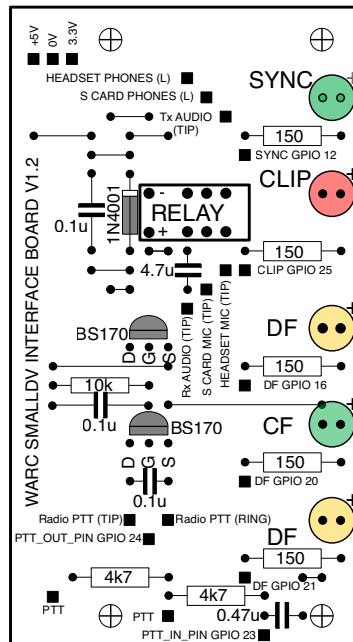


Fig. 'B'. Topside Component Layout
Scale 1:1

- Pin header
- Wire link
- Mounting hole

Component List.

Capacitors	
0.1uF.	3
0.47uF.	1
4.7uF.	1

Resistors	
150.	5
4k7.	2
10k.	1

Semiconductors	
1N4001.	1
BS170.	2
LED Green.	2
LED Red.	1
LED Yellow.	2

Miscellaneous	
5VDC Minature DPDT.	1
Veroboard 0.1" pitch	
Pin header	

WARC SMALLDV PROJECT
INTERFACE BOARD ASSEMBLY
DETAILS
V1.2
Date 04 APR 2020